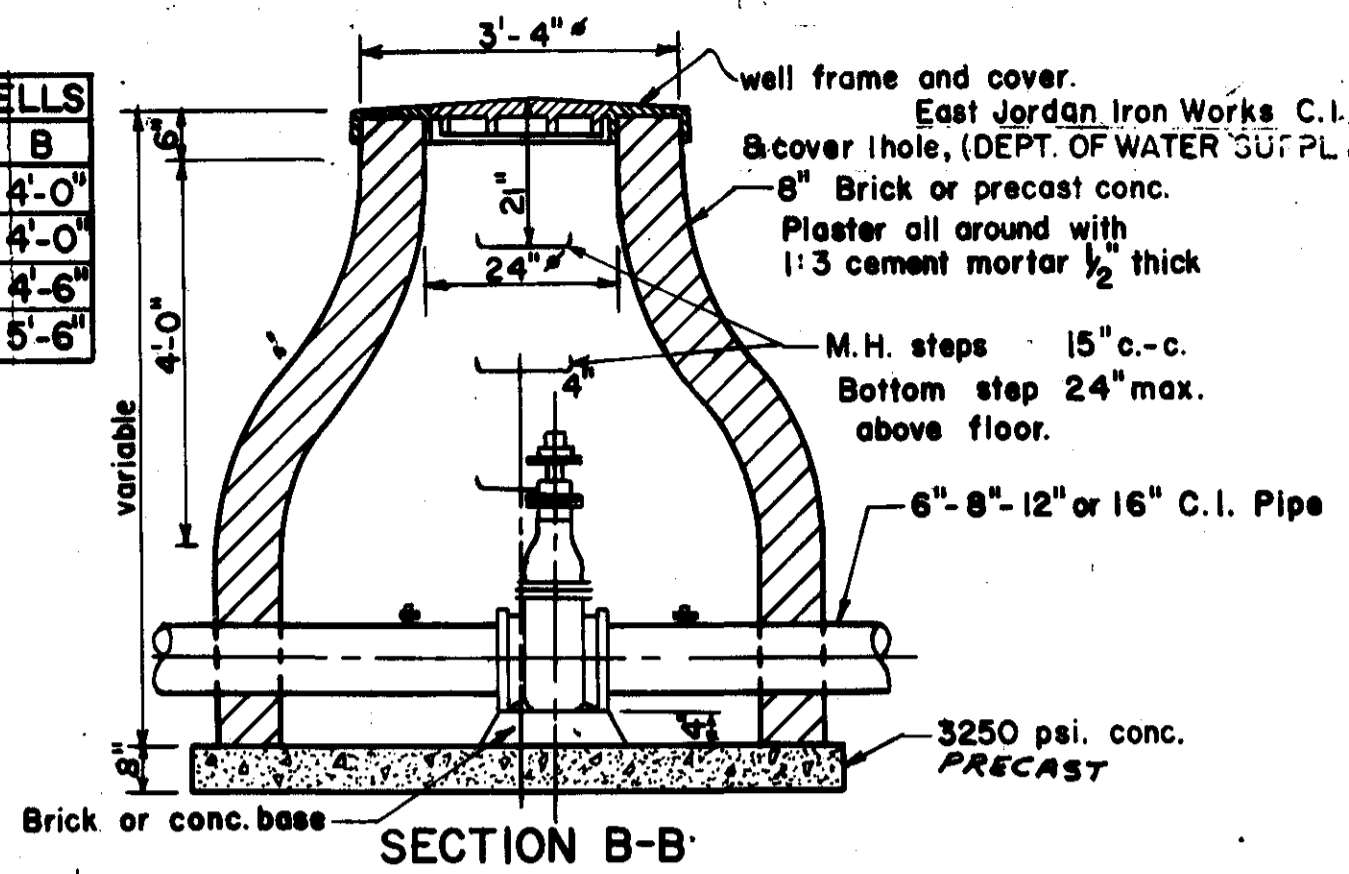
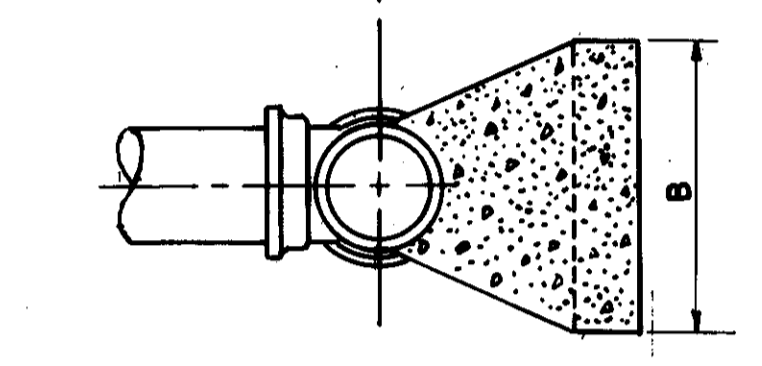
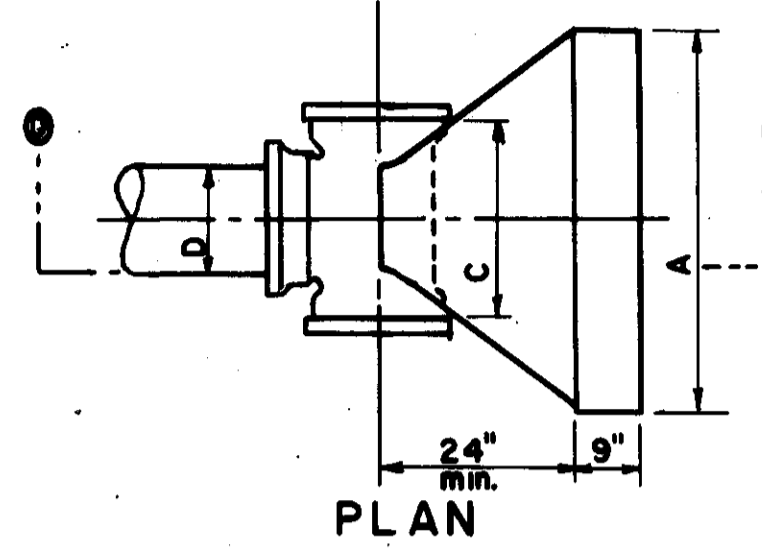


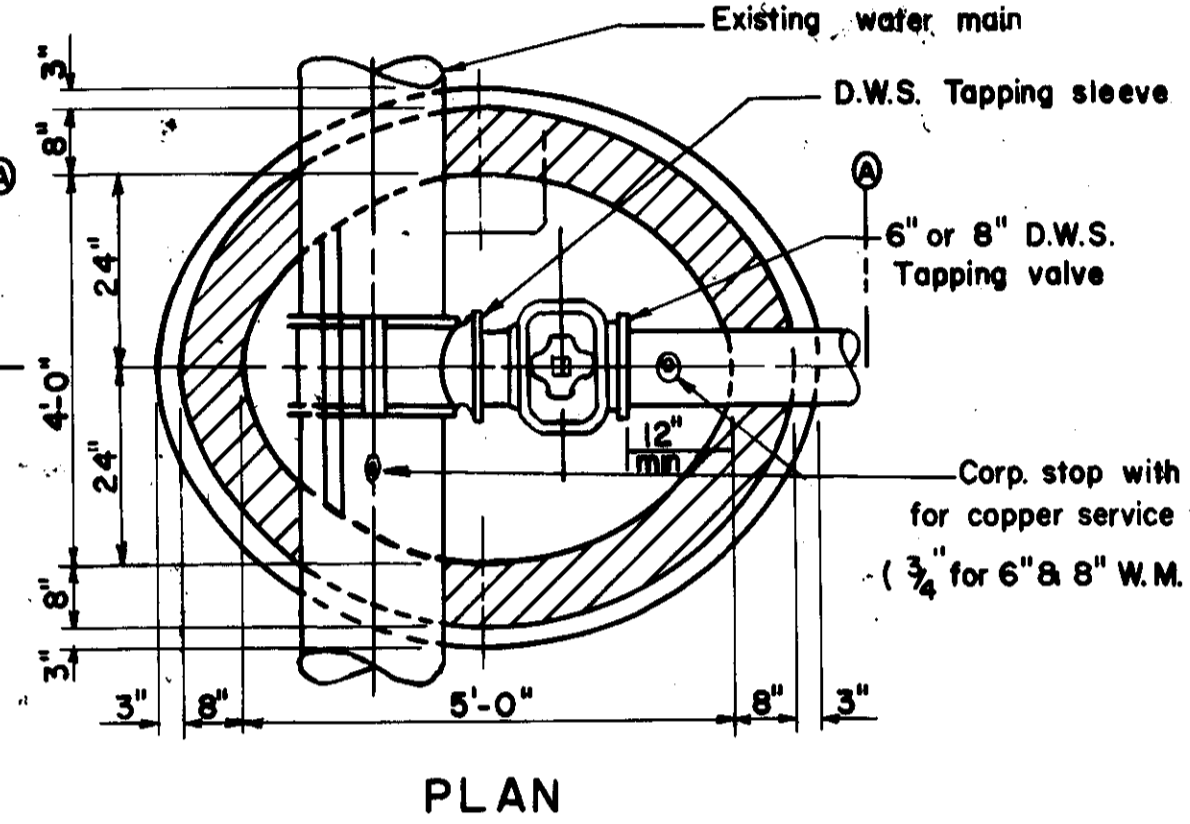
Size	Wt.	A	B
6"	200	5'-0"	4'-0"
8"	300	5'-0"	4'-0"
12"	547	5'-6"	4'-6"
16"	1300	6'-0"	5'-6"



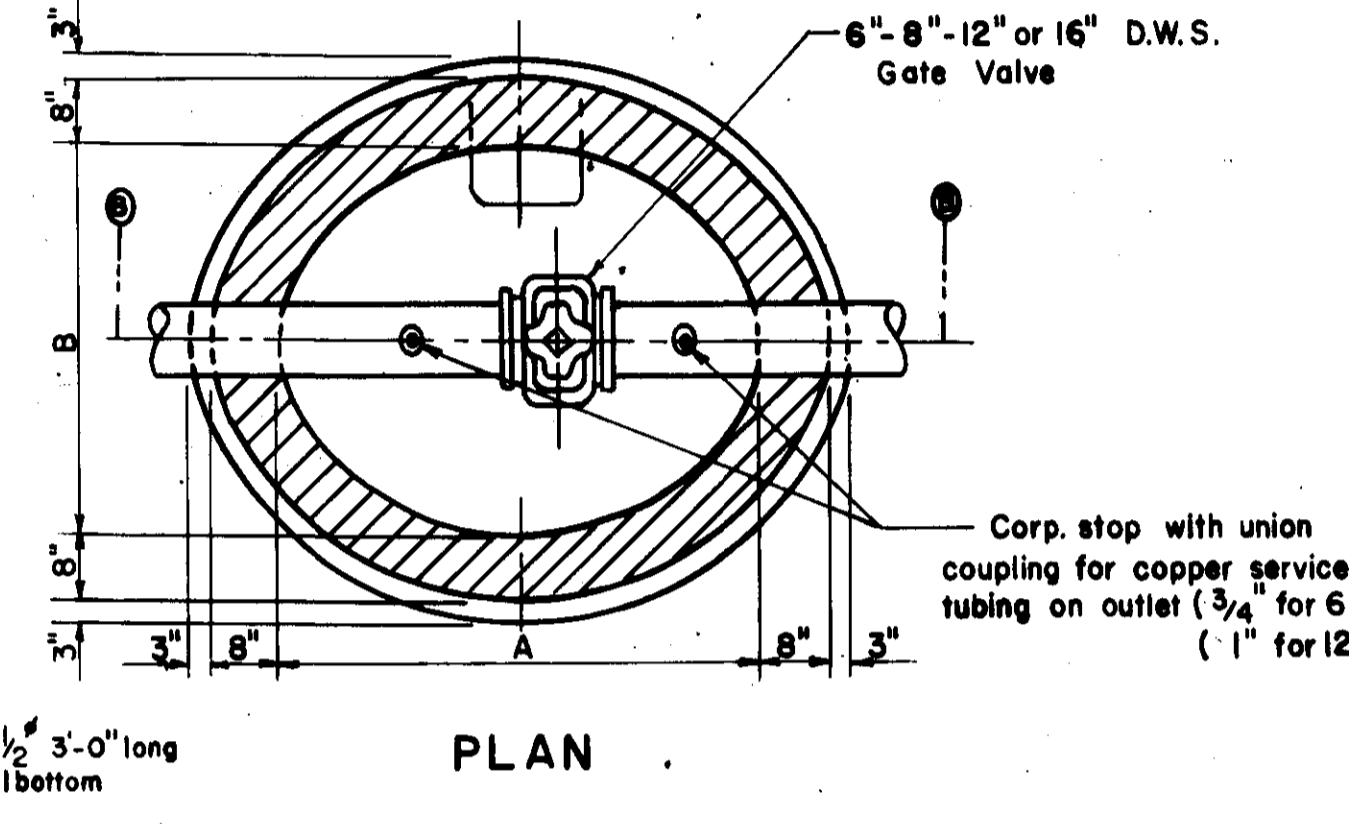
TEE	A	B	C
6"	2'	1'	2'
8"	3'	2'	2'
12"	4'	3'	2.5'
16"	6'	3.5'	2.5'
24"	6.5'	6.5'	3.5'



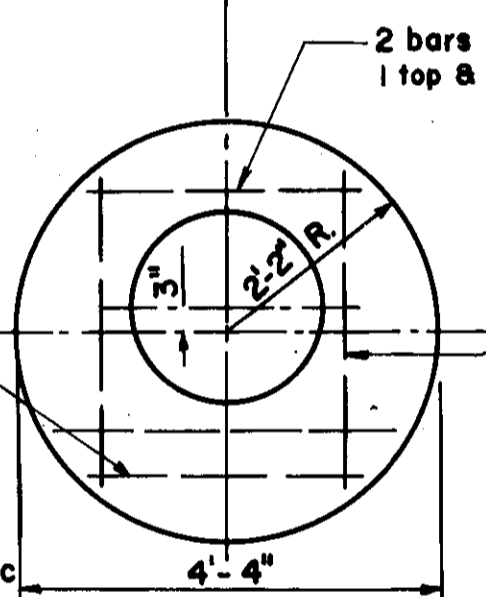
THRUST BLOCK AT TEE  
Scale 1/2" = 1'-0"



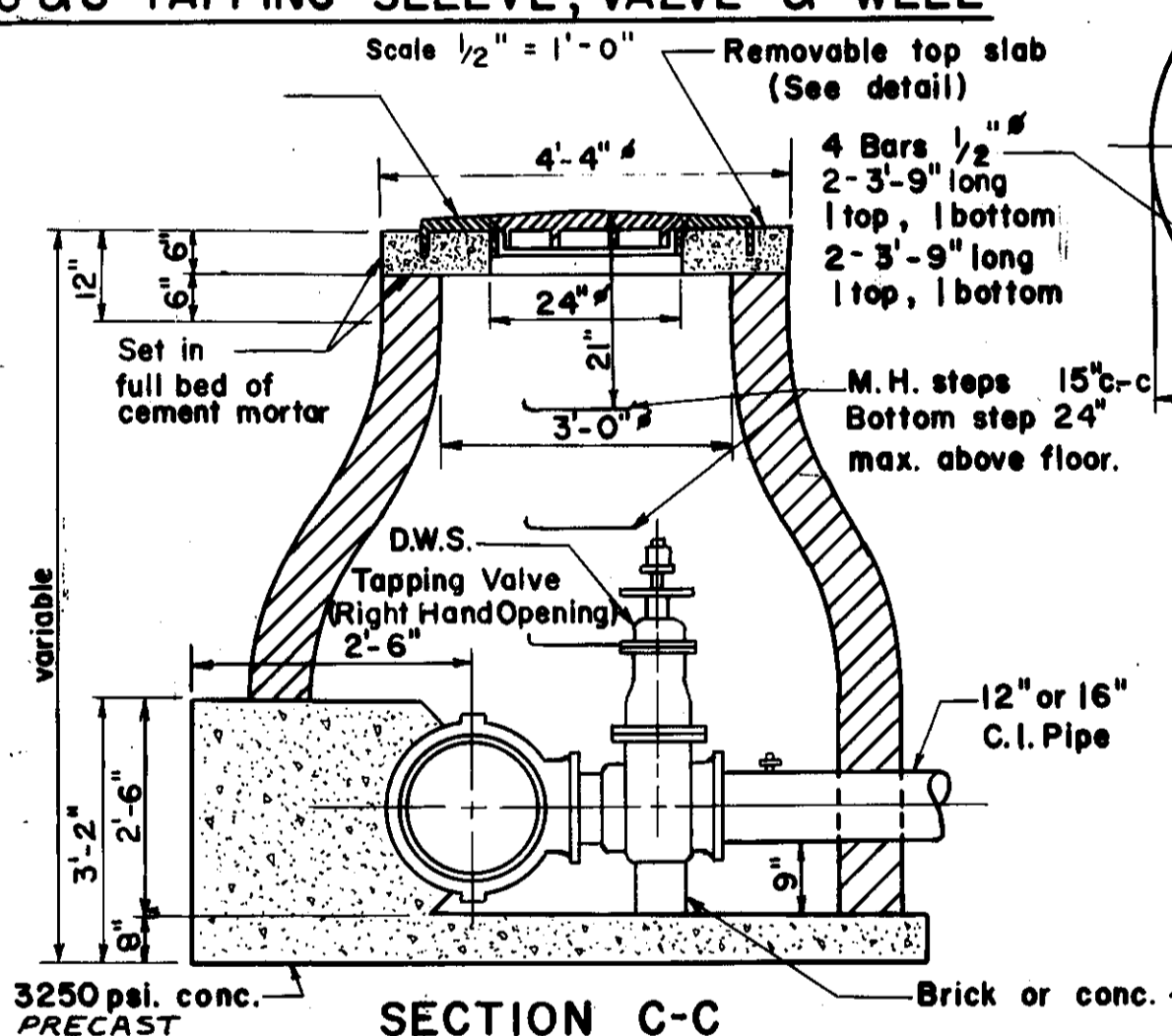
6" & 8" TAPPING SLEEVE, VALVE & WELL  
Scale 1/2" = 1'-0"



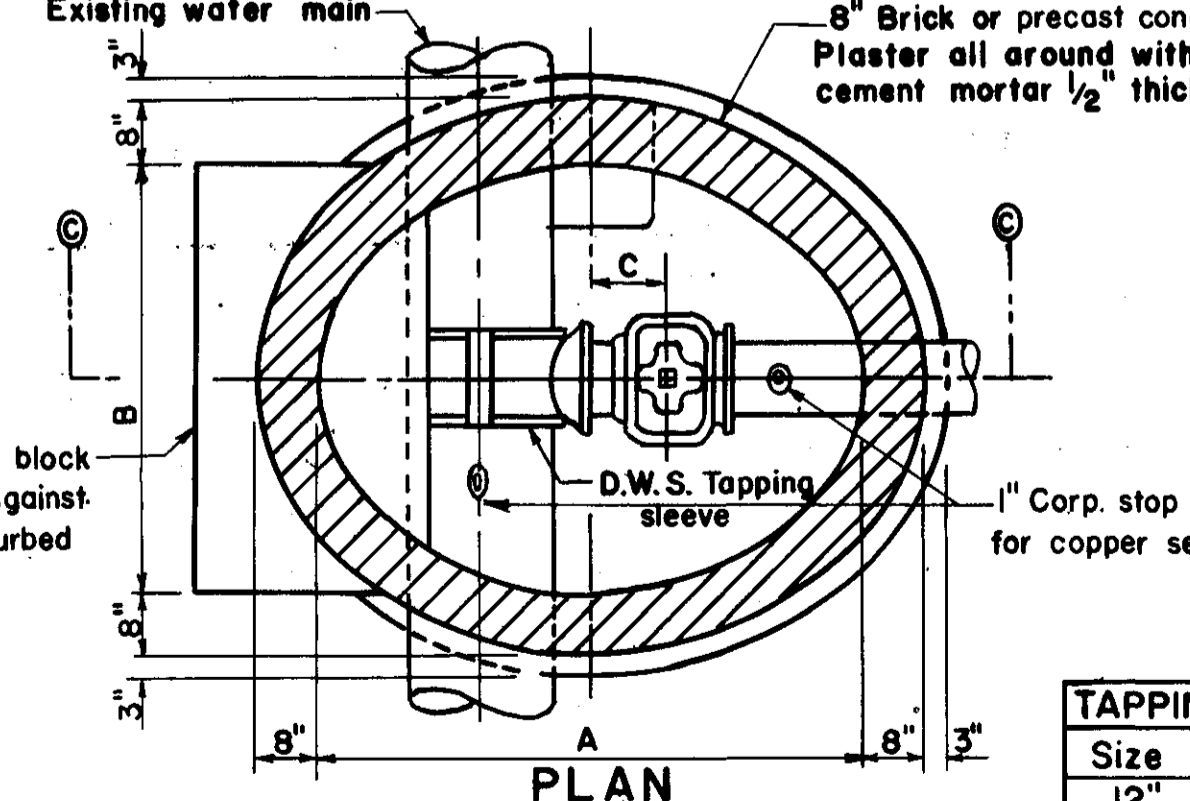
GATE & WELL  
Scale 1/2" = 1'-0"



PLAN OF TOP  
Place all bars 1/2" from bottom or top of slab.  
Grade "A" concrete



SECTION C-C

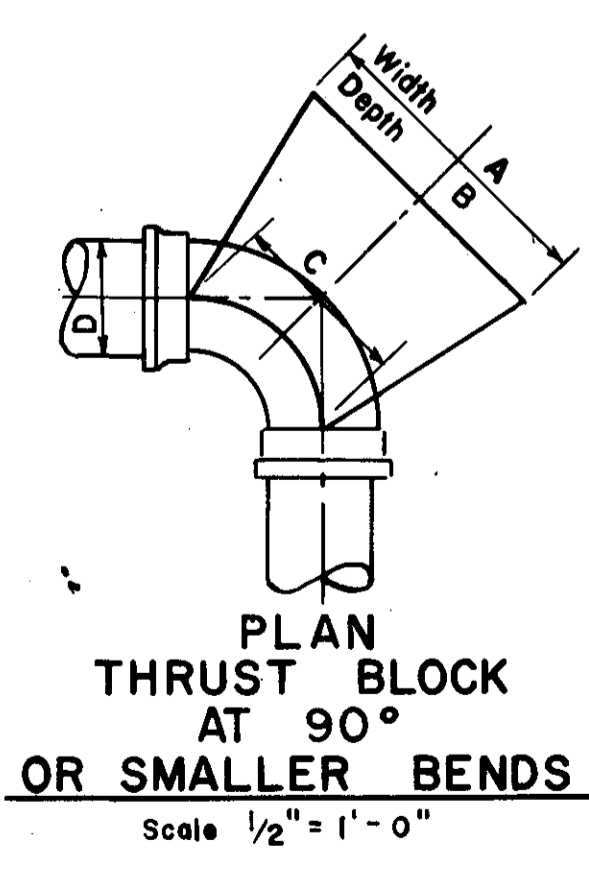


12" & 16" TAPPING VALVE WELL  
Scale 1/2" = 1'-0"

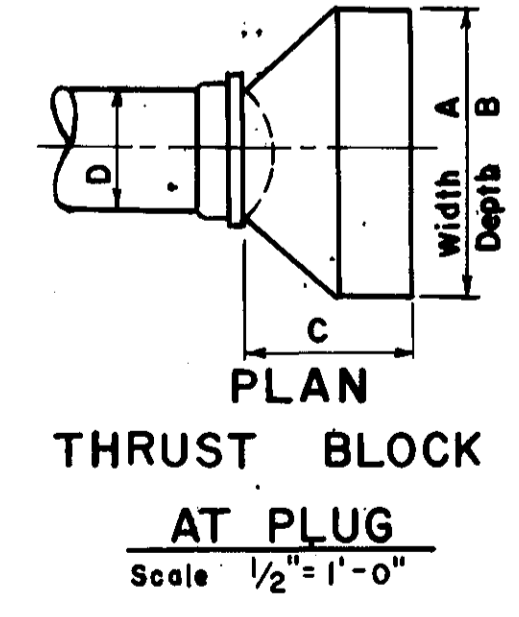
TAPPING SLEEVE, VALVE & WELL	Wt.	A	B	C
12"	560	5'-6"	4'-6"	3"
16"	1260	6'-0"	5'-6"	6"

Dia. D	22 1/2° BEND			45° BEND			90° BEND		
	A	B	C	A	B	C	A	B	C
6"	1'	1'	1.5'	2'	1'	1.5'	2'	1.5'	2'
8"	1.5'	1'	1.5'	3'	1'	1.5'	3'	2'	2'
12"	2'	2'	2'	3.5'	2'	2'	4'	3'	2'
16"	3'	2'	2'	5'	3'	2'	6'	4'	2.5'
24" over	ANCHORAGE								

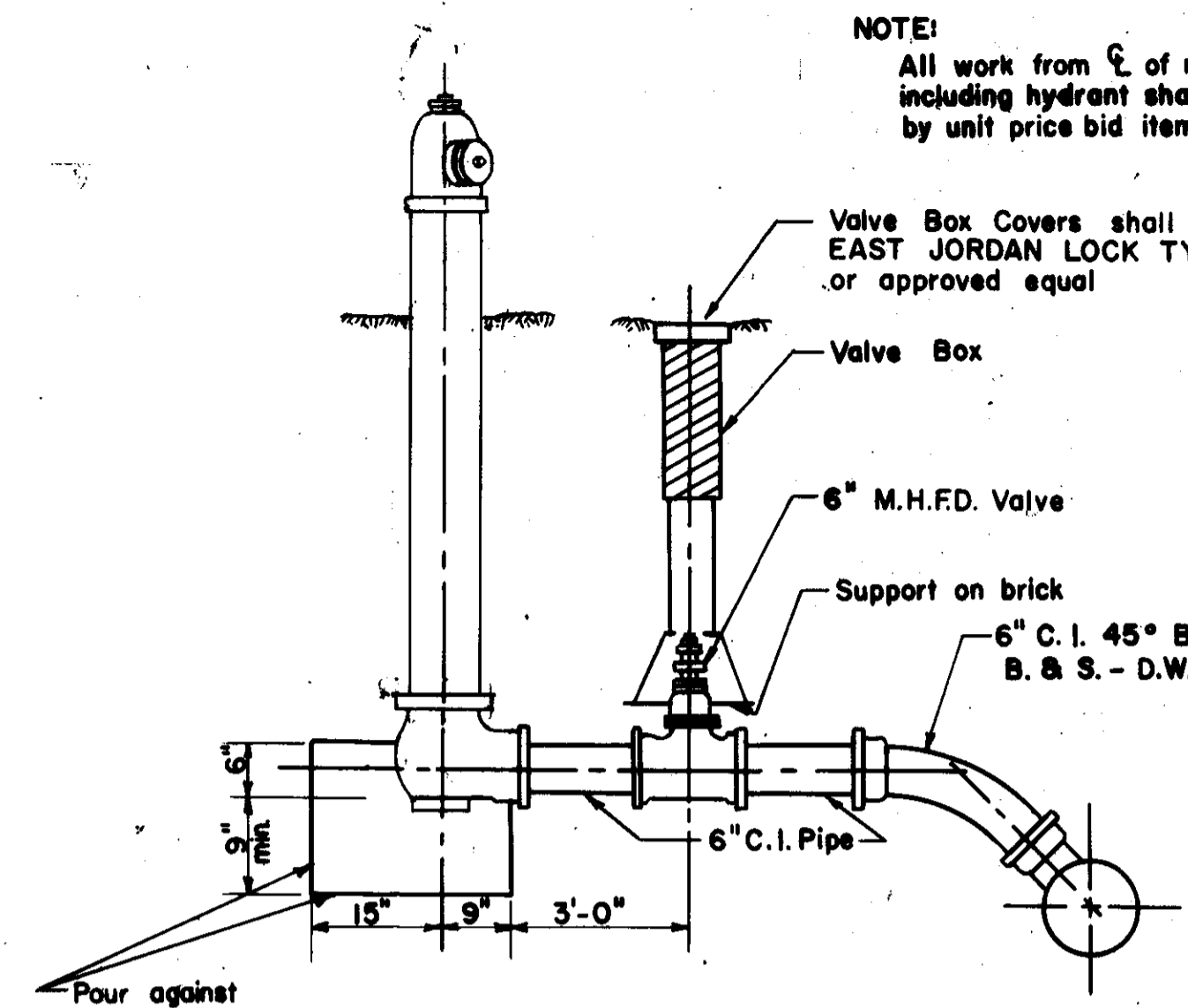
Dia. D	PLUG		
	A	B	C
6"	2'	1'	1'
8"	3'	2'	1'
12"	4'	3'	1.5'
16"	6'	4'	2.5'
24"	6.5'	6.5'	3.5'



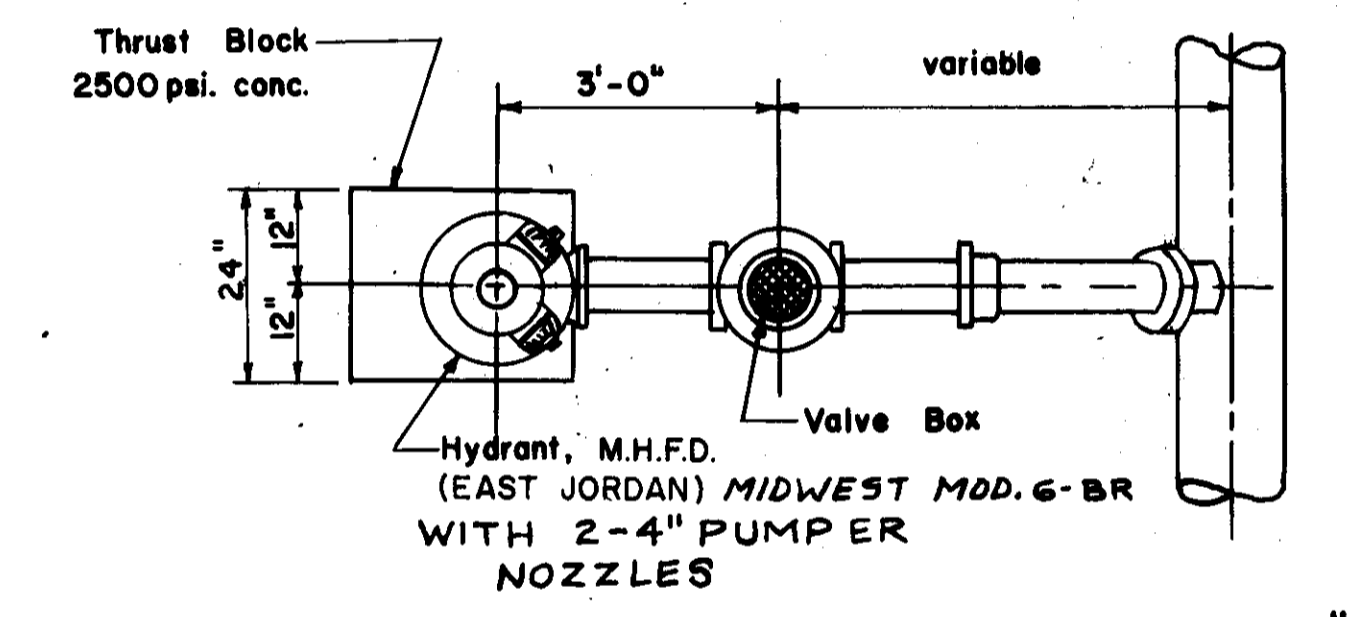
PLAN THRUST BLOCK AT 90° OR SMALLER BENDS  
Scale 1/2" = 1'-0"



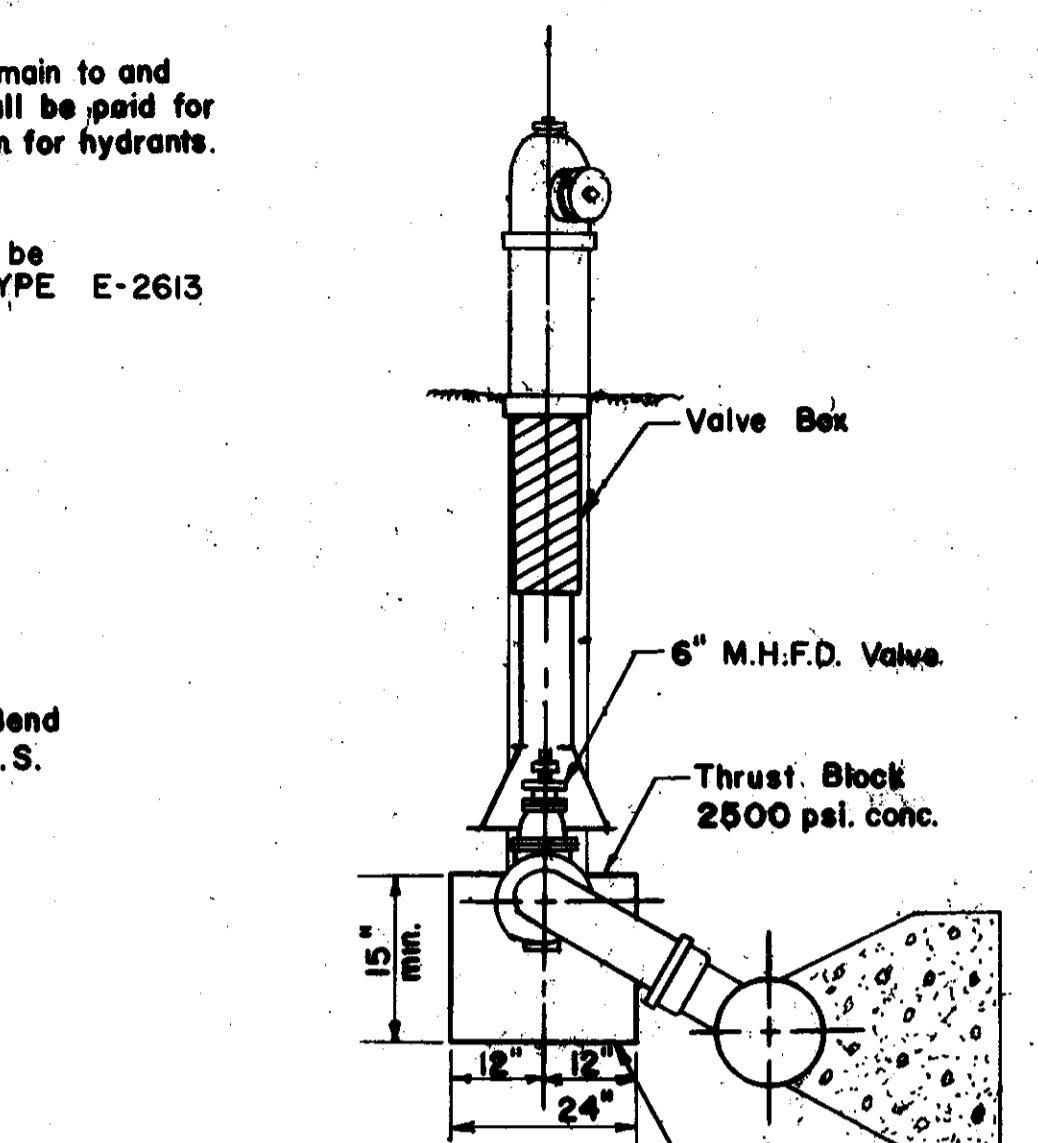
PLAN THRUST BLOCK AT PLUG  
Scale 1/2" = 1'-0"



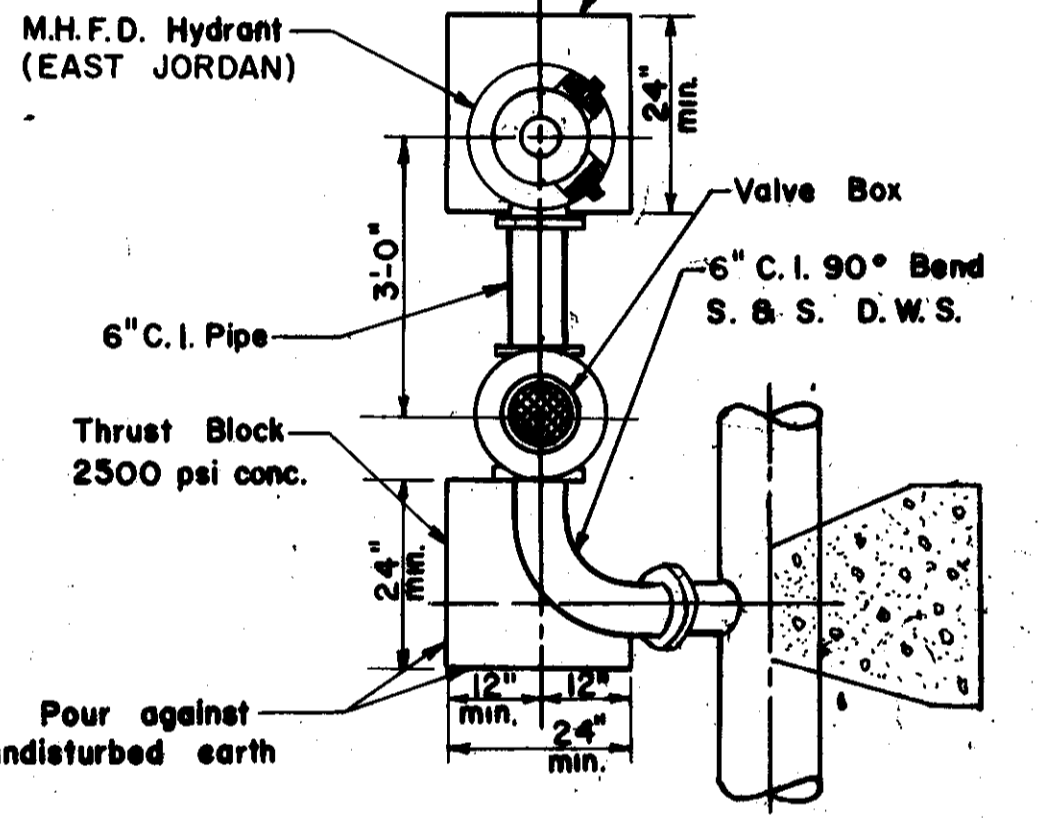
SECTION



PLAN

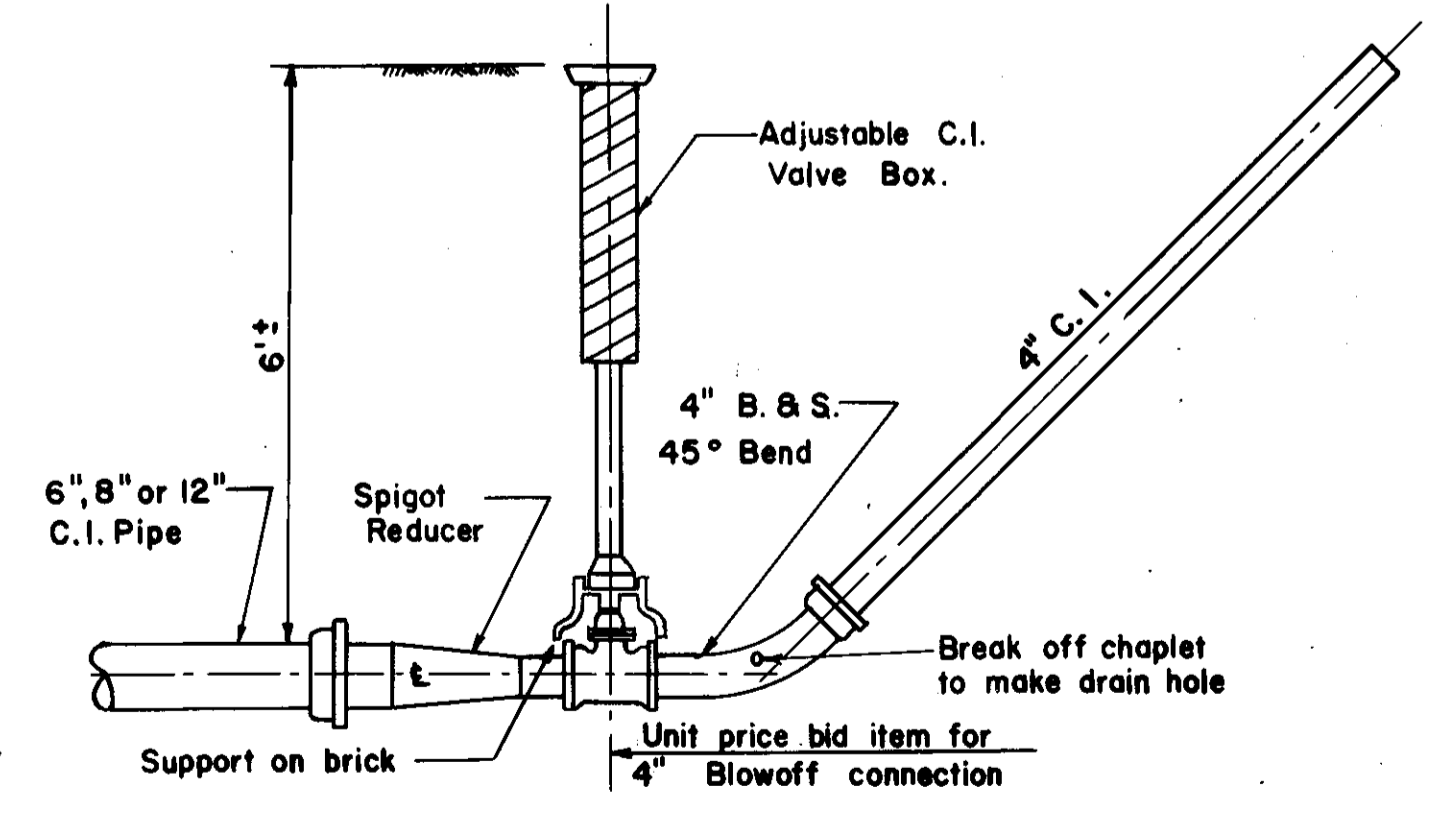


SECTION



PLAN

HYDRANT SETTINGS  
Not to Scale



TYPICAL 4" BLOWOFF CONNECTION  
Scale 1/2" = 1'-0"

LEGEND FOR TYPICAL PLAN

- GATE & WELL
- HYDRANT
- PROPOSED MAINS
- EXISTING MAINS

REVISIONS	DATE	BY	CHANGE
1-77			

ENGINEERING DEPARTMENT  
CITY OF MADISON HEIGHTS, MICHIGAN  
CITY ENGINEER

WATER STANDARDS

APPROVED BY  
DRAWN BY  
DATE

SCALE - AS SHOWN  
SHEET OF SHEETS