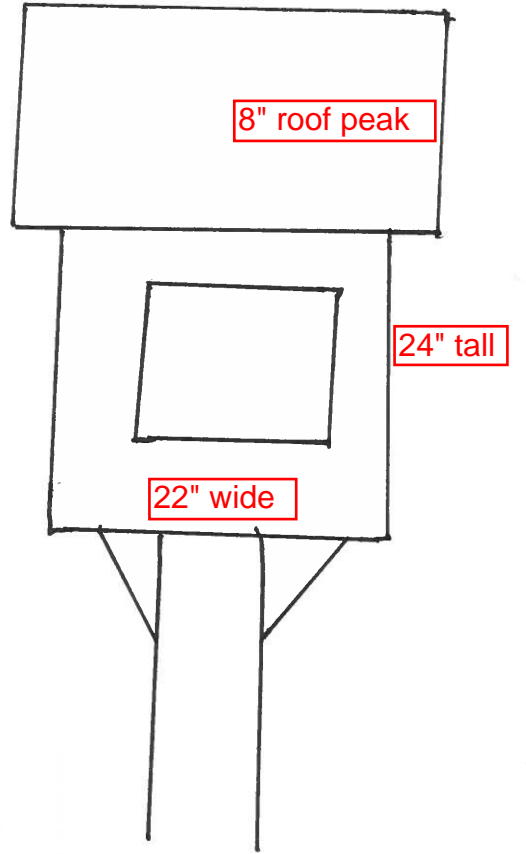
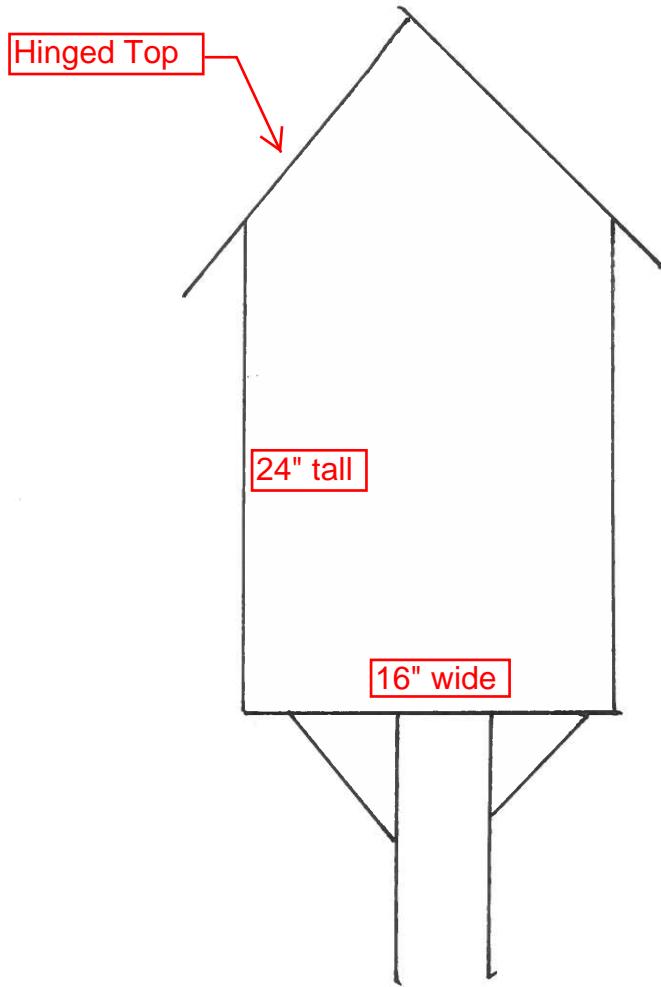


Materials List:  
 4' x 8' 3/4" Plywood  
 4x4 x8' Treated  
 2x4 x8' Treated  
 All of the upper portion of the Little Library  
 can be built from one piece of plywood.

Design Two





# City of Madison Heights, Michigan

City Hall Municipal Offices  
300 W. Thirteen Mile Road  
Madison Heights, MI 48071

Department of Public Services  
300 W. Thirteen Mile Road  
Madison Heights, MI 48071

Fire Department  
31313 Brush Street  
Madison Heights, MI 48071

Police Department  
280 W. Thirteen Mile Road  
Madison Heights, MI 48071

[www.madison-heights.org](http://www.madison-heights.org)

## Free Book Exchange Structure Disclaimer

The City of Madison Heights has accepted/allowed/permitted the donation of free book exchange structures, also known as “Little Free Libraries” to be installed in the City. These book exchanges are provided as a free public resource. The City of Madison Heights makes no warranty, representation or guaranty as to the content, accuracy, legality of the donation of any free book exchange and the City’s acceptance of the donation does not constitute an endorsement by the City of Madison Heights. The City has no control over the content or information accessed through a free book exchange located in the City and shall have no liability for any errors, inaccuracies or omissions or any decision or action taken by a reader of the information received from information obtained from a free book exchange. The City of Madison Heights is not responsible for maintenance, repair or supplying content to free book exchanges located in the City. The City, at its sole discretion may remove or relocate any free book exchange located on City property.

The City of Madison Heights explicitly disclaims any representation and warranties of any kind, express or implied, including, without limitation, the implied warranties of merchantability and fitness for a particular purpose. The City of Madison Heights, its Council, officers, employees, agents, successors, assigns or affiliates shall have no liability for any damages, including without limitation, personal injury, incidental, special, indirect, compensatory, consequential or punitive damages, whatsoever, including, without limitation, damages for loss of profits, lost time, lost savings, for business interruption, or any other commercial damages or losses related to a free book exchange located in the City of Madison Heights regardless of the theory of liability.

\_\_\_\_\_  
Print or Type Name

\_\_\_\_\_  
City

\_\_\_\_\_  
Applicant Signature

\_\_\_\_\_  
Witness

\_\_\_\_\_  
Witness

### Area Code (248)

Assessing.....	858-0776	Fire Department.....	588-3605	Police Department.....	585-2100
City Clerk.....	583-0826	43rd District Court.....	583-1800	Purchasing.....	837-2602
City Manager.....	583-0829	Human Resources.....	583-0828	Recreation.....	589-2294
Community Development.....	583-0831	Library.....	588-7763	Senior Citizen Center.....	545-3464
Department of Public Services.....	589-2294	Mayor & City Council.....	583-0829	Water & Treasurer.....	583-0845
Finance.....	583-0846	Nature Center.....	585-0100		